



# HERRALUM®

líder en herrajes para aluminio y vidrio



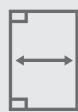
4pz

Múltiplo



180Kg

Capacidad de carga



950mm

Ancho máximo de cristal



2100mm

Alto máximo de cristal



Freno a 90°  
Apertura a 113°

Características Especiales

## CLAVE 1005 BISAGRA DE PISO RYOBI MODELO S203N



Bisagra de piso Ryobi modelo S203N con cuerpo reforzado para mayor peso en contra. Doble válvula para regular la velocidad de cierre y presión, probada en laboratorio por más de 1'000,000 de ciclos.



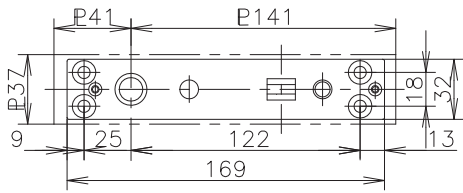
[www.herralum.com](http://www.herralum.com)

DERECHOS RESERVADOS  
Herralum Industrial S.A. de C.V.  
Calle 4 No.10557 Parque Industrial El Salto  
C.P. 45680 El Salto, Jal.  
Tel. (33) 3666 0312

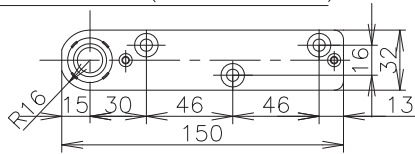


| OPENING SYSTEM OF DOOR  | MODEL NUMBER |          | FITTING SIZE AND WEIGHT |                  |
|---|--------------|----------|-------------------------|------------------|
|   |              |          | WIDTH X HEIGHT (mm)     | DOOR WEIGHT (kg) |
| CENTER HUNG PAIR DOORS OPENED OF IN DOUBLE ACTION<br>MAXIMUM OPENING ANGLE 113°<br>HOLDOPEN ANGLE 90° | 203N         | NON-HOLD | 950X2100                | 180              |
|   | S203N        | 90° HOLD |                         |                  |

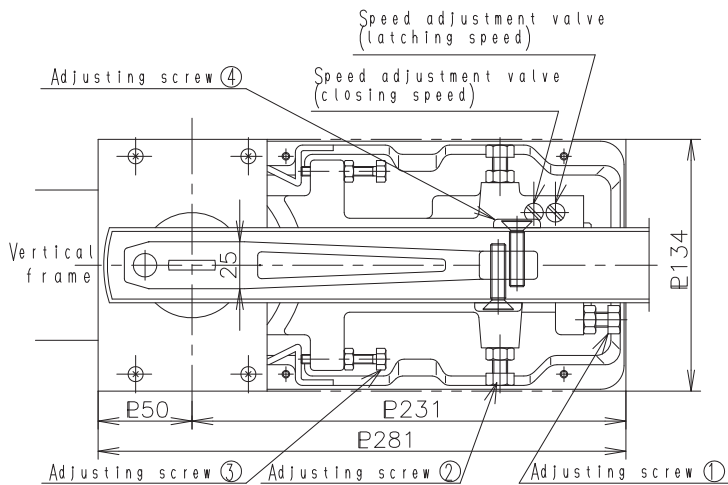
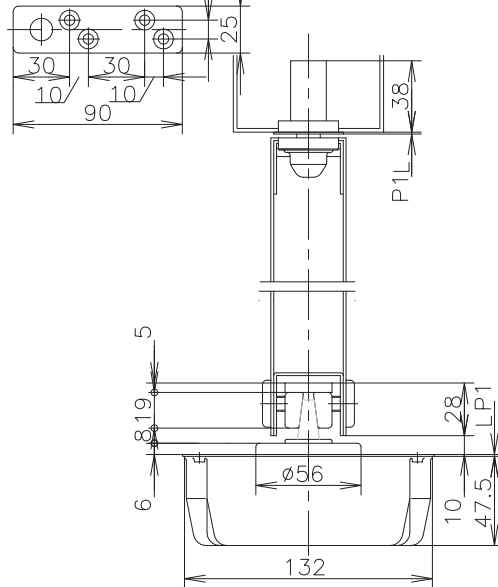
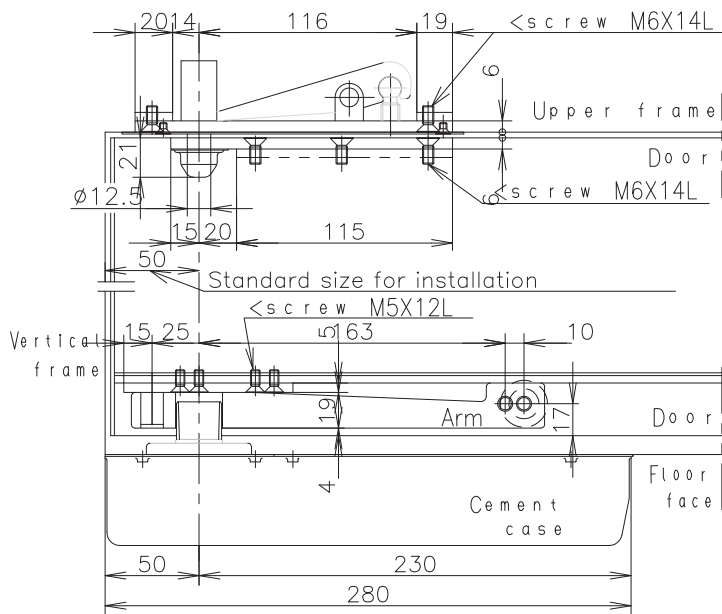
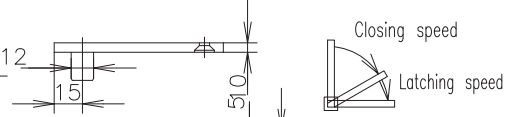
Top pivot (upper frame side)



Top pivot (door side)



Arm plate 12



Dimension is indicated by m/m unit

NOTE

TO PROTECT ANY PRODUCT DAMAGE DURING OPERATIONS FOLLOW THE INSTRUCTIONS BELOW WHEN 203N/S203N

FLOOR HINGE IS APPLIED TO DOOR OVER 150KGS DOOR WEIGHT.

- 1 Adjust 1st closing speed over 4 seconds during 1st closing speed range.
- 2 Do not adjust latching speed(2nd closing speed) extremely slower than closing speed.
- 3 Use door stopper at maximum door opening position.

ADJUSTMENT OF DOOR POSITION AND DOOR CLOSING SPEED.

Adjustment is made by taking off floor plate (backside)

1. Adjusting screws (1 2 3) are loosened.
2. Adjustment of space between door and vertical frame is made by adjusting screws (1 3) and tightening lock-nuts of adjusting screws (1 3).
3. Adjustment of closing position of door is made by adjusting screw 4
4. For further adjustment, after loosening adjusting screw 3 and its lock-nut, adjustment is made by adjusting screw 2 and tightening adjusting screw 3 and its lock-nut.
5. Adjusting screw 2 and its lock-nut are tightened.
6. Adjustment for both closing speed and latching speed is made by turning valves clockwise for slower speed and turning unclockwise for faster speed.



www.herralum.com

DERECHOS RESERVADOS  
Herralum Industrial S.A. de C.V.  
Calle 4 No.10557 Parque Industrial El Salto  
C.P. 45680 El Salto, Jal.  
Tel. (33) 3666 0312

